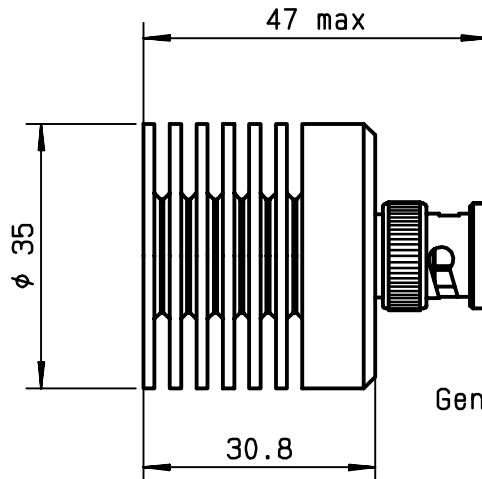


**TITLE:** 12 W 8GHZ BNC/m COAXIAL TERMINATION

**LTR.** B

### DRAWING



General tolerances: +/- 0.5 mm

### ELECTRICAL CHARACTERISTICS

FREQUENCY RANGE	: DC - 8GHz
IMPEDANCE	: 50 Ohms
DC RESISTANCE	: 50 Ohms ± 5 %
AVERAGE POWER HANDLING	: 12 W at 75°C
PEAK POWER HANDLING	: 4 kW ( 1 μs, 1%.) at 25°C
V.S.W.R :	DC - 2 GHz : ≤ 1.10
	2 - 4 GHz : ≤ 1.15
	4 - 8 GHz : ≤ 1.25

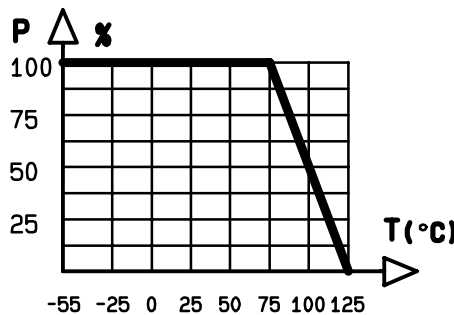
### MECHANICAL CHARACTERISTICS

CONNECTOR	: BNC male per MIL C 39012
MAXIMUM WEIGHT	: 65 grams

### ENVIRONMENTAL CHARACTERISTICS

OPERATING TEMPERATURE RANGE (°C)	: -55 , +125
STORAGE TEMPERATURE RANGE (°C)	: -55 , +125

Power derating  
Versus temperature



Tentative data subject to change without notice

<b>PEN</b> <b>CAT</b>	QUALITY Dpt App.				
<b>PAGE</b> 1 / 1	<b>DATE</b> 25.11.83	<b>NAME</b> DP	B	New format	22.10.92 PG
			<b>LTR</b>	<b>REVISIONS</b>	<b>DATE</b> <b>APP.</b>